

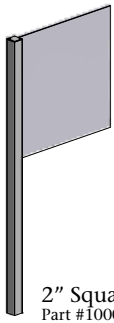


Note: All dimensions are subject to the tolerance standards of the aluminum extrusion industry. Profile drawings are illustrative and rounded to the nearest 1/16".

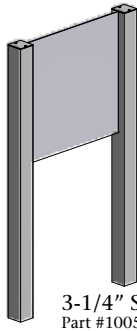
Architectural System Assemblies

Series 1 Post & Panels

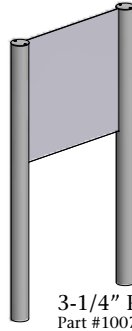
See pages 47 & 61 for additional information.



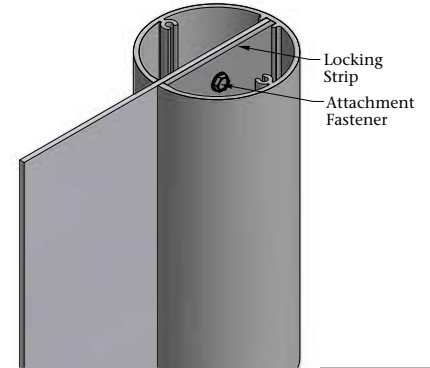
2" Square Post
Part #1000



3-1/4" Square Post
Part #1005



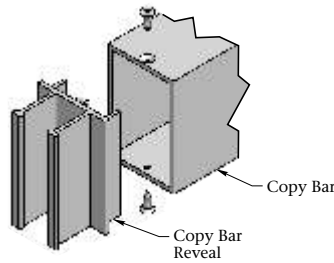
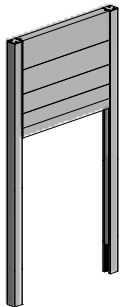
3-1/4" Round Post
Part #1007



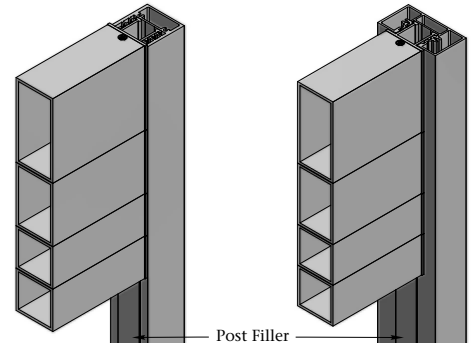
Locking Strip
Attachment Fastener

Series Copy Bar Post & Panels

See pages 47 & 61 for post options, reveal positions and additional information.



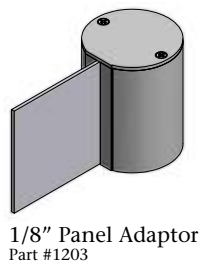
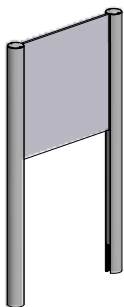
Copy Bar
Copy Bar Reveal



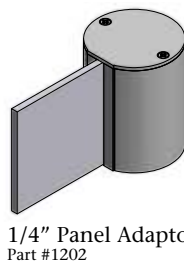
Post Filler

Series Panel Adaptor Post & Panels

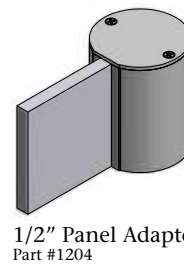
See pages 48 & 61 for post options and additional information.



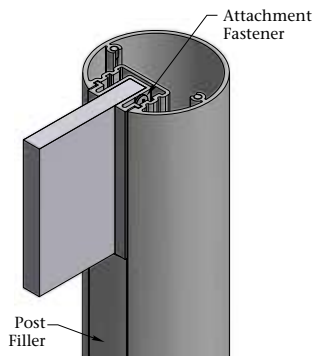
1/8" Panel Adaptor
Part #1203



1/4" Panel Adaptor
Part #1202



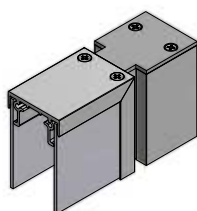
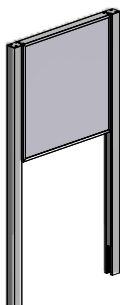
1/2" Panel Adaptor
Part #1204



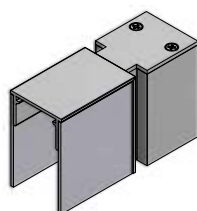
Post Filler

Series 2 Post & Panels

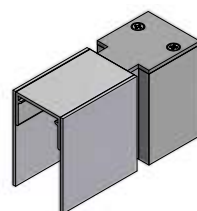
See pages 48 & 62 for post options, reveal positions and additional information.



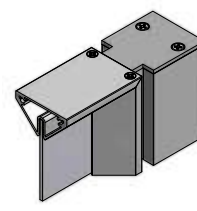
Slide Body
Part #1110



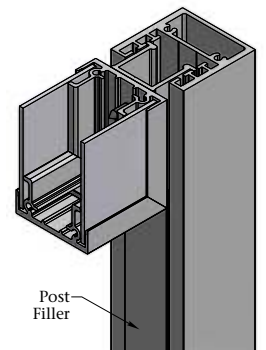
Bleed Body
Part #1120



Frameless Body
Part #1125



Beveled Frame
Part #1990



Post Filler

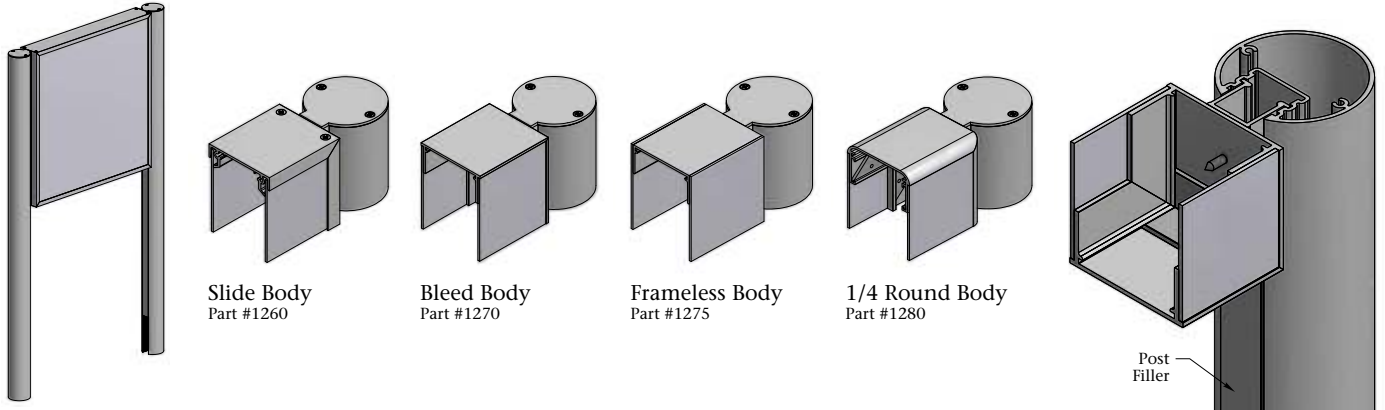


Note: All dimensions are subject to the tolerance standards of the aluminum extrusion industry. Profile drawings are illustrative and rounded to the nearest 1/16".

Architectural System Assemblies

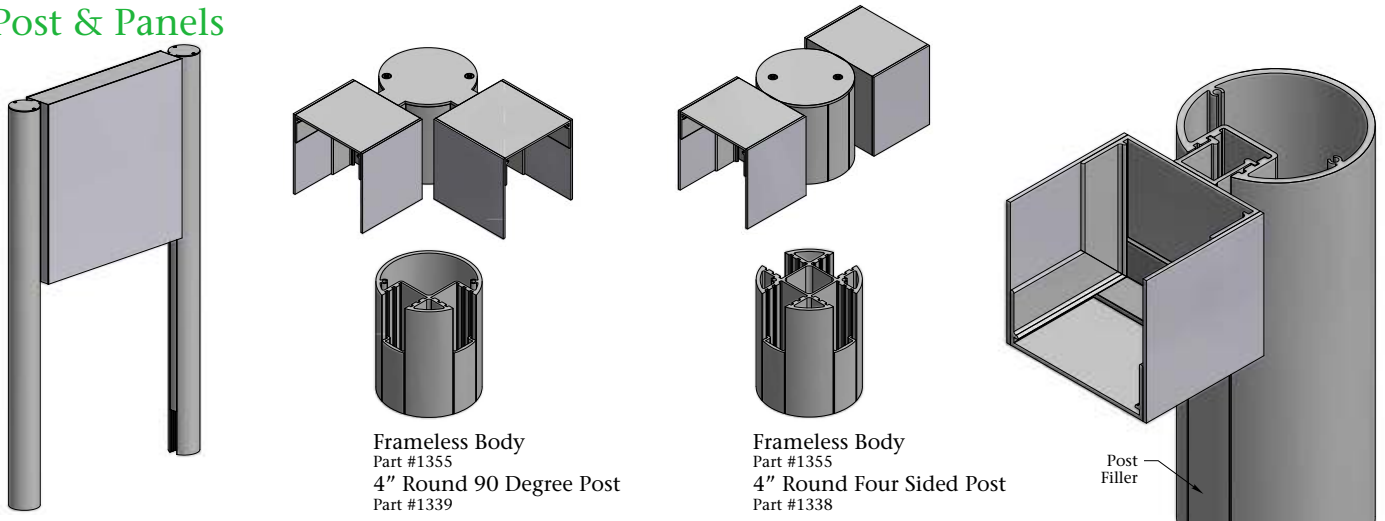
Series 3 Post & Panels

See pages 48 & 62 for post options, reveal positions and additional information.



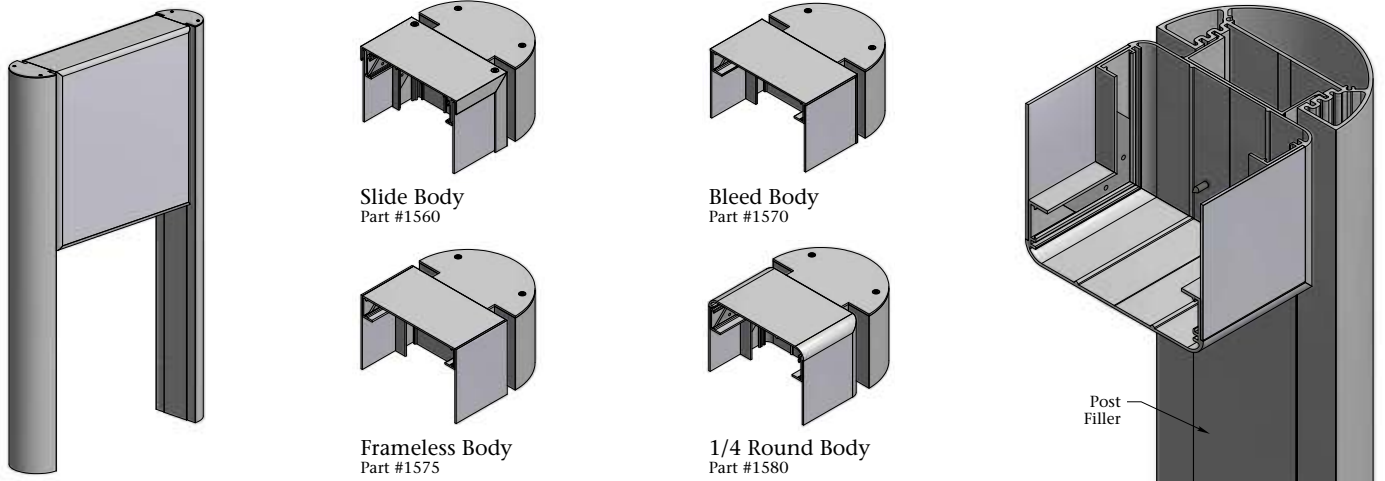
Series 4 Post & Panels

See pages 49 & 62 for post options, reveal positions and additional information.



Series 7 Post & Panels

See pages 49 & 62 for post options, reveal positions and additional information.



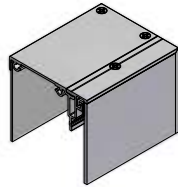
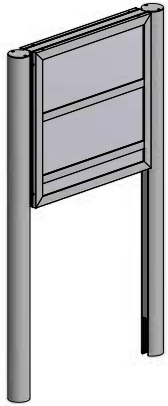


Note: All dimensions are subject to the tolerance standards of the aluminum extrusion industry. Profile drawings are illustrative and rounded to the nearest 1/16".

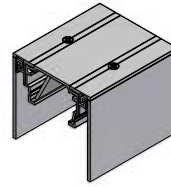
Architectural System Assemblies

Series 3 Access Body Post & Panels

See pages 48, 50 & 63 for post options, reveal positions and additional information.



Single Face Access Body
Part #1291
Insert Top/Bottom Cover
Part #1292



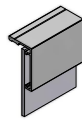
Access Body
Part #1290
Insert Top/Bottom Cover
Part #1292



Bleed Cover
Part #1692



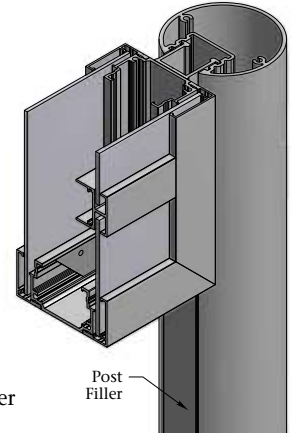
Frameless Cover
Part #1693



Slide Cover
Part #1694



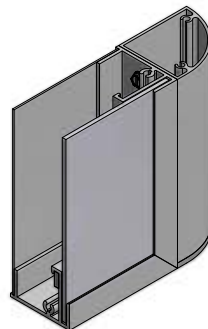
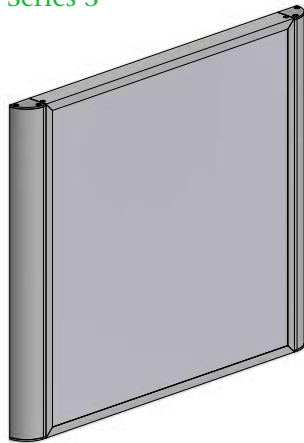
Radius Slide Cover
Part #1695



Post Filler

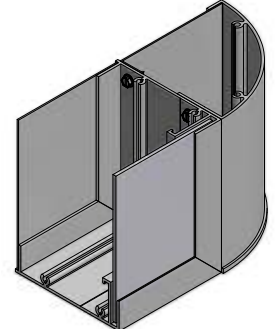
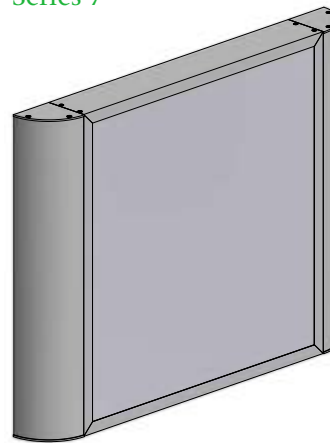
1/2 Slide Body Wall Mount Systems Series 3

See pages 48-49 & 63 for additional information.



1/2 Slide Body
Part #1265
Optional
1/4 Round End
Part #1215

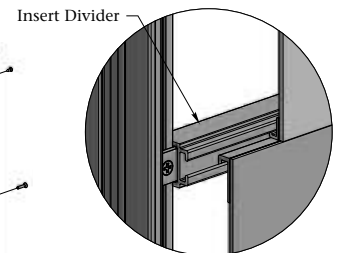
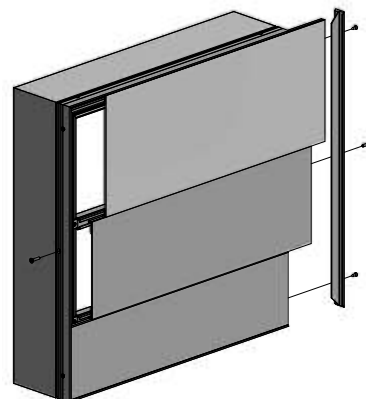
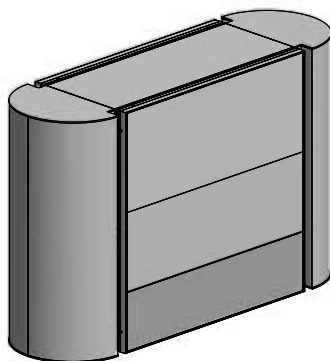
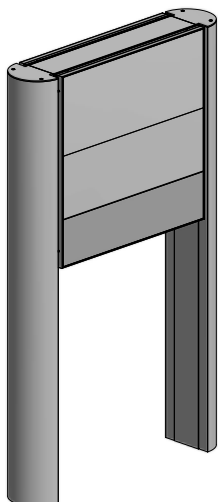
Series 7



1/2 Slide Body
Part #1565
Optional
1/4 Round End
Part #1670

Insert Panels

See pages 48, 53 & 64 for body and post options, reveal positions and additional information.



Insert Retainer
Part #1666
Access Frame
Part #1290

Cover Options
Extended Insert End Cover
Part #1698
Extended Insert End Cover
Part #1698



Note: All dimensions are subject to the tolerance standards of the aluminum extrusion industry. Profile drawings are illustrative and rounded to the nearest 1/16".

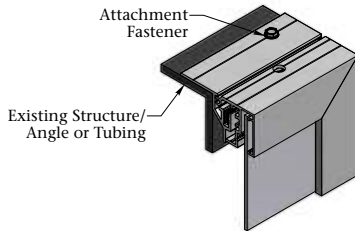
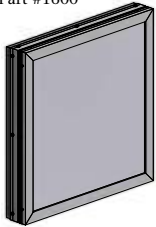
Architectural System Assemblies

Hingeable Body Systems

See pages 51-52 & 64-66 for additional information.

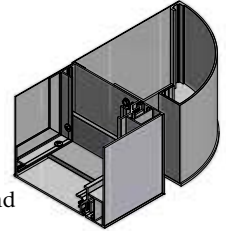
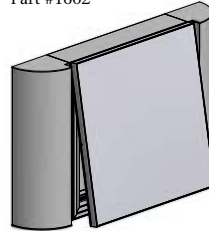
Series 7/12 Retro Body

Part #1600



Series 7 Single Face Body

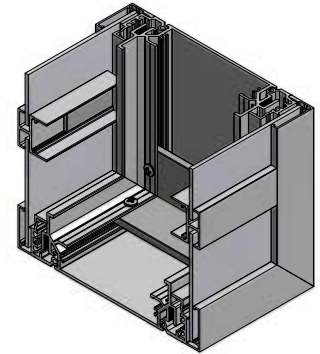
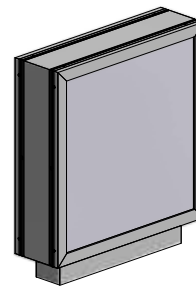
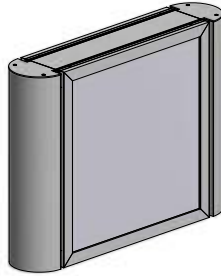
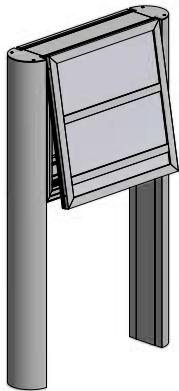
Part #1602



Optional
1/4 Round End
Part #1671

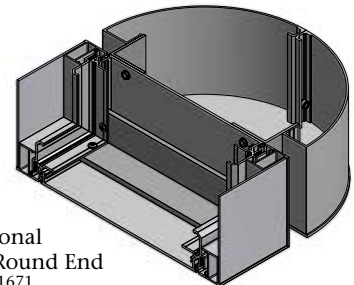
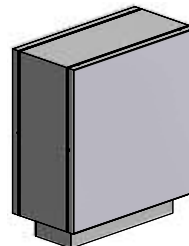
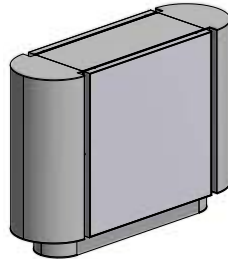
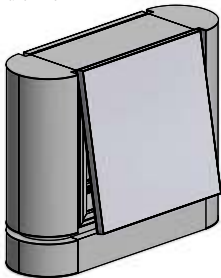
Series 7 Hinge Body

Part #1592



Series 12 Hinge Body

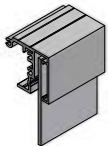
Part #1612



Optional
1/4 Round End
Part #1671

Hingeable Retainers

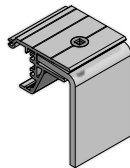
Slide Retainer
Part #1624



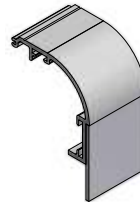
3/4" Slide Retainer
Part #1626



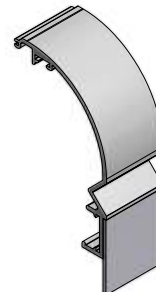
Frameless Rigid Retainer
Part #1628



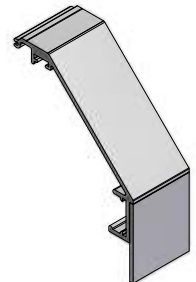
Extended 1/4 Round Retainer
Part #1650



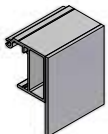
Extended 1/4 Round Retainer w/Reveal
Part #1655



Beveled Retainer
Part #1656



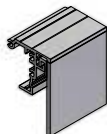
Frameless Retainer
Part #1631



Bleed Retainer
Part #1632



Insert Retainer
Part #1666



1/4 Round Retainer
Part #1640



Note: The Hingeable Retainers are designed to integrate with all of the Architectural Hinge Bodies.